

Efficient Mixing, Dispersing, and Dissolving

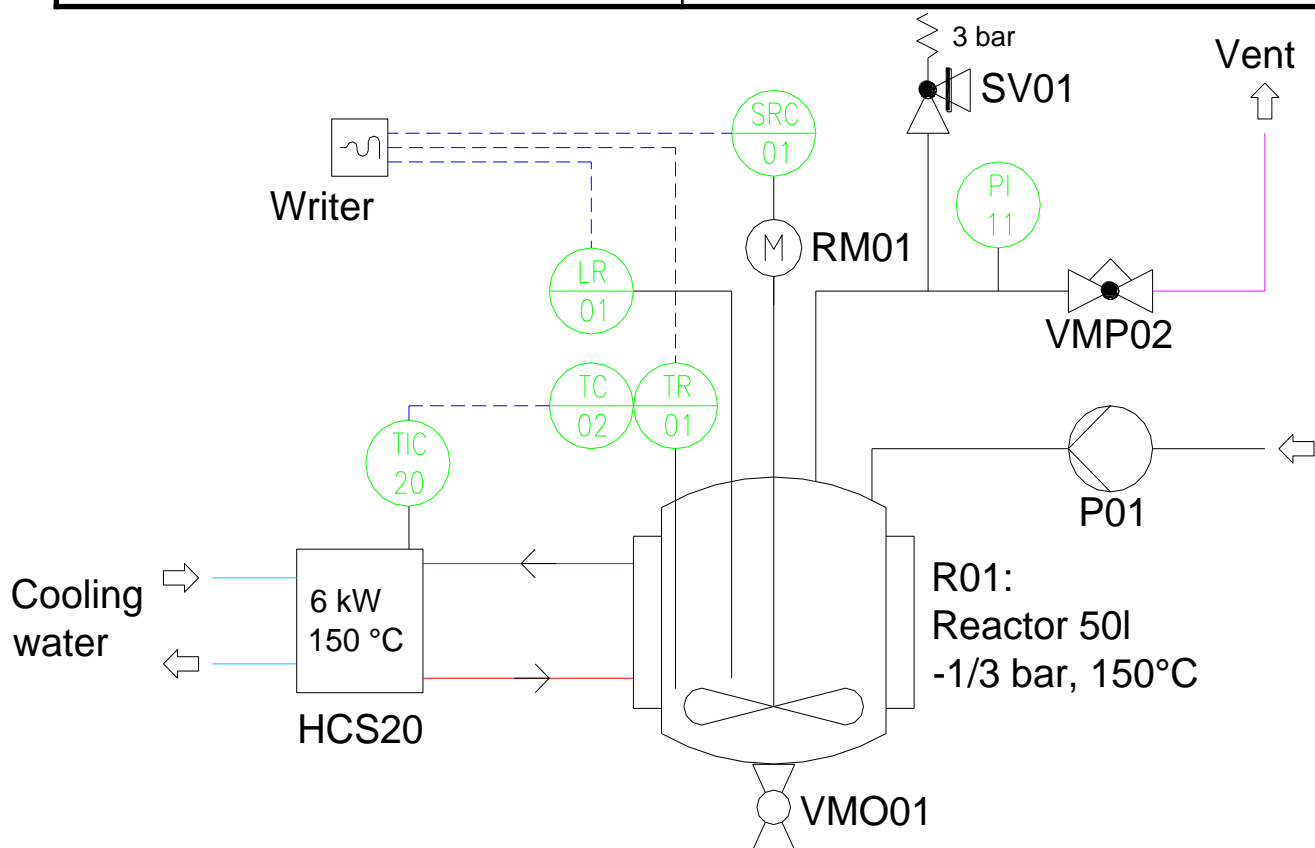


50 I Reactor



- **50 I reactor plant**
- **Compact unit including thermostat (-10 – 150 °C) and feed pump**
- **Digital data acquisition with USB or Ethernet interface**

Technical Data	
Plant dimensions B x T x H	1910 x 750 x 1260 mm ³
Weight	360 kg
Electrical Connection	230/400 V AC, 50 Hz, 16 A
Reactor volume	60 l
Design pressure reactor	-1-3 bar
Design temperature	150 °C
Sealing	PTFE
Material with product contact	Stainless steel: 1.4404, 1.4571
Stirrer speed /Material	Stirrer speed /Material
Liquid level sensor	10-52 l
Ambient conditions	10 to 40 °C, max. humidity < 80 %



Smart Solutions for Small Plants

AP-Miniplant GmbH & Co. KG

Hirtenrasen 64
D-37318 Lindewerra

Phone: +49 (0) 36087 976-0
Fax: +49 (0) 36087 976-22

Email: info@miniplant.de
Internet: www.miniplant.de